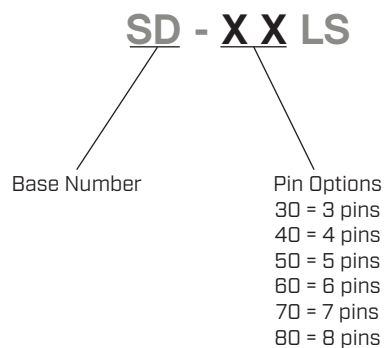


SERIES: SD-LS | **DESCRIPTION:** STANDARD DIN CONNECTOR

FEATURES

- locking
- panel mount
- metal bushing


PART NUMBER KEY

SPECIFICATIONS

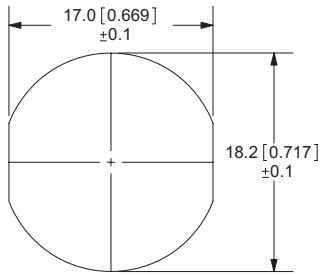
| parameter | conditions/description | min | typ | max | units |
|-----------------------|------------------------|-----|-------|------|--------|
| rated input voltage | | | 100 | | Vac |
| rated input current | | | | 2 | A |
| contact resistance | | | | 20 | mΩ |
| insulation resistance | at 500 Vdc | 100 | | | MΩ |
| voltage withstand | for 1 minute | | | 1000 | Vac |
| operating temperature | | -40 | | 85 | °C |
| life | | | 5,000 | | cycles |
| flammability rating | UL94V-2 | | | | |
| RoHS | yes | | | | |

MECHANICAL DRAWINGS

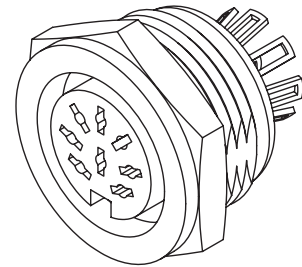
units: mm[inches]

TOLERANCE: ±0.2mm

| | MATERIAL | PLATING |
|-------------------|----------|---------|
| contact terminals | brass | tin |
| hex nut | zinc | nickel |
| cover | zinc | nickel |
| housing | nylon | |



Panel Cutout



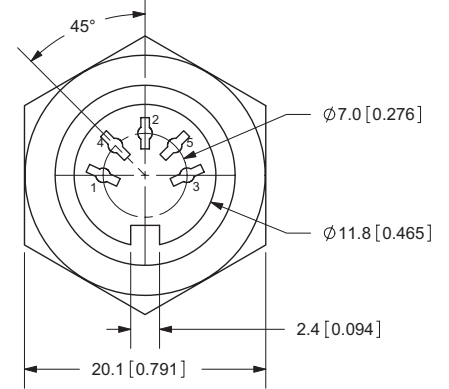
SD-30LS



SD-40LS



SD-40LS



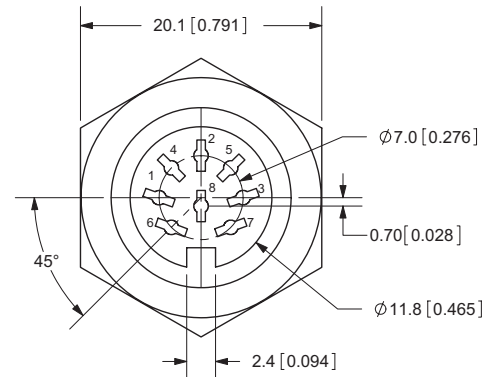
SD-60LS



SD-70LS



SD-80LS



REVISION HISTORY

| rev. | description | date |
|------|------------------------------|------------|
| 1.0 | initial release | 02/23/2006 |
| 1.01 | new template applied | 01/27/2012 |
| 1.02 | updated datasheet | 11/24/2015 |
| 1.03 | updated datasheet | 09/08/2017 |
| 1.04 | brand update | 02/19/2020 |
| 1.05 | updated datasheet | 07/02/2020 |
| 1.06 | logo, datasheet style update | 08/05/2022 |

The revision history provided is for informational purposes only and is believed to be accurate.



CUI Devices offers a one (1) year limited warranty. Complete warranty information is listed on our website.

CUI Devices reserves the right to make changes to the product at any time without notice. Information provided by CUI Devices is believed to be accurate and reliable. However, no responsibility is assumed by CUI Devices for its use, nor for any infringements of patents or other rights of third parties which may result from its use.

CUI Devices products are not authorized or warranted for use as critical components in equipment that requires an extremely high level of reliability. A critical component is any component of a life support device or system whose failure to perform can be reasonably expected to cause the failure of the life support device or system, or to affect its safety or effectiveness.

cuidevices.com